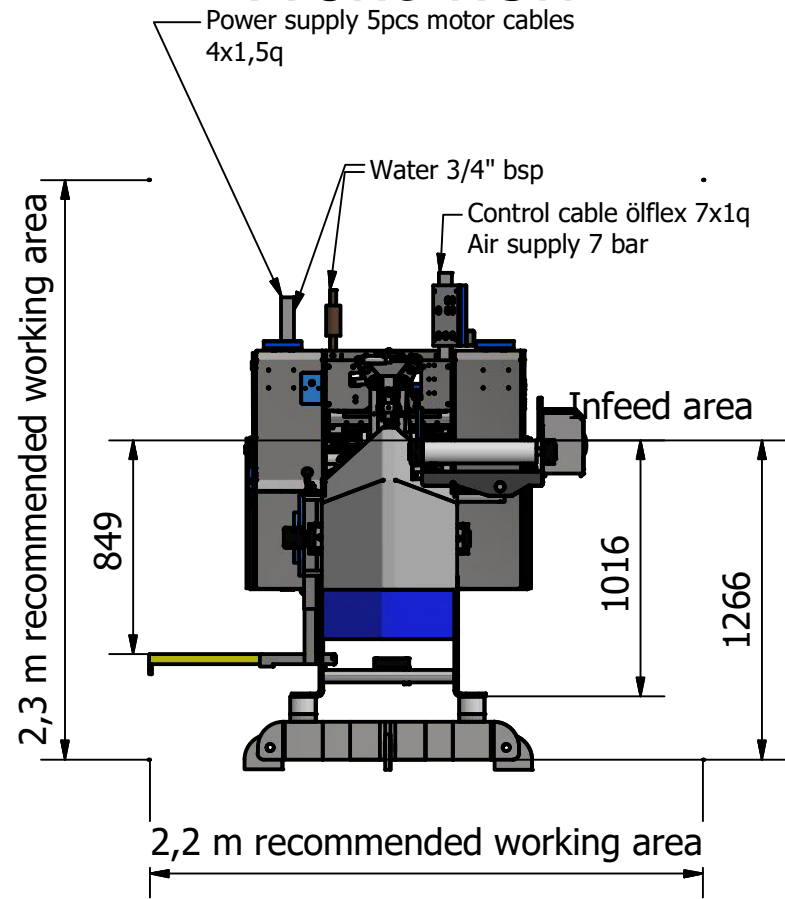
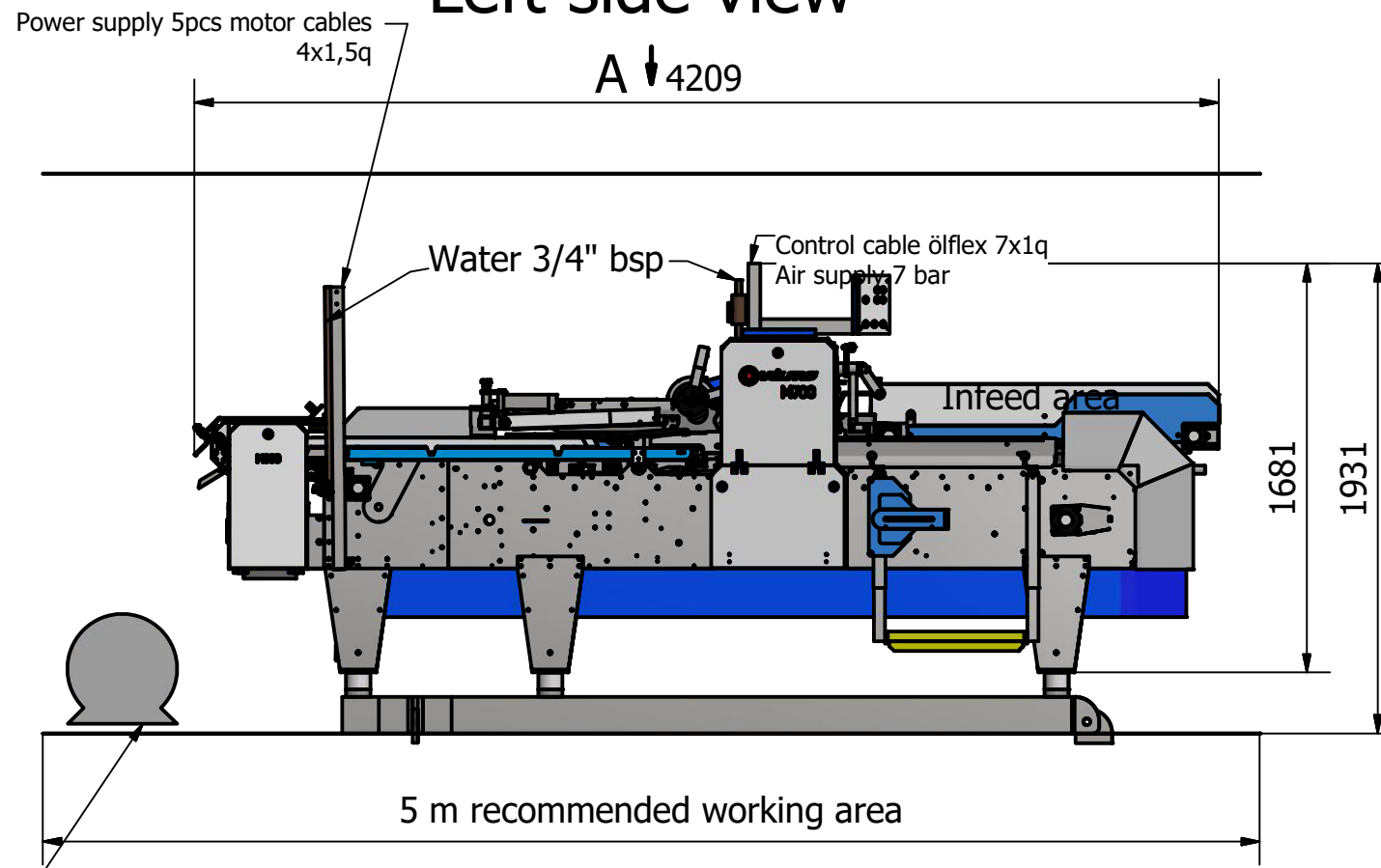


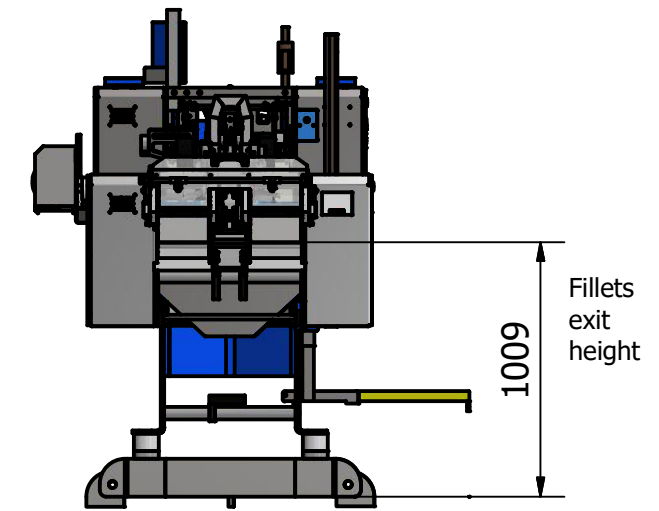
Front view



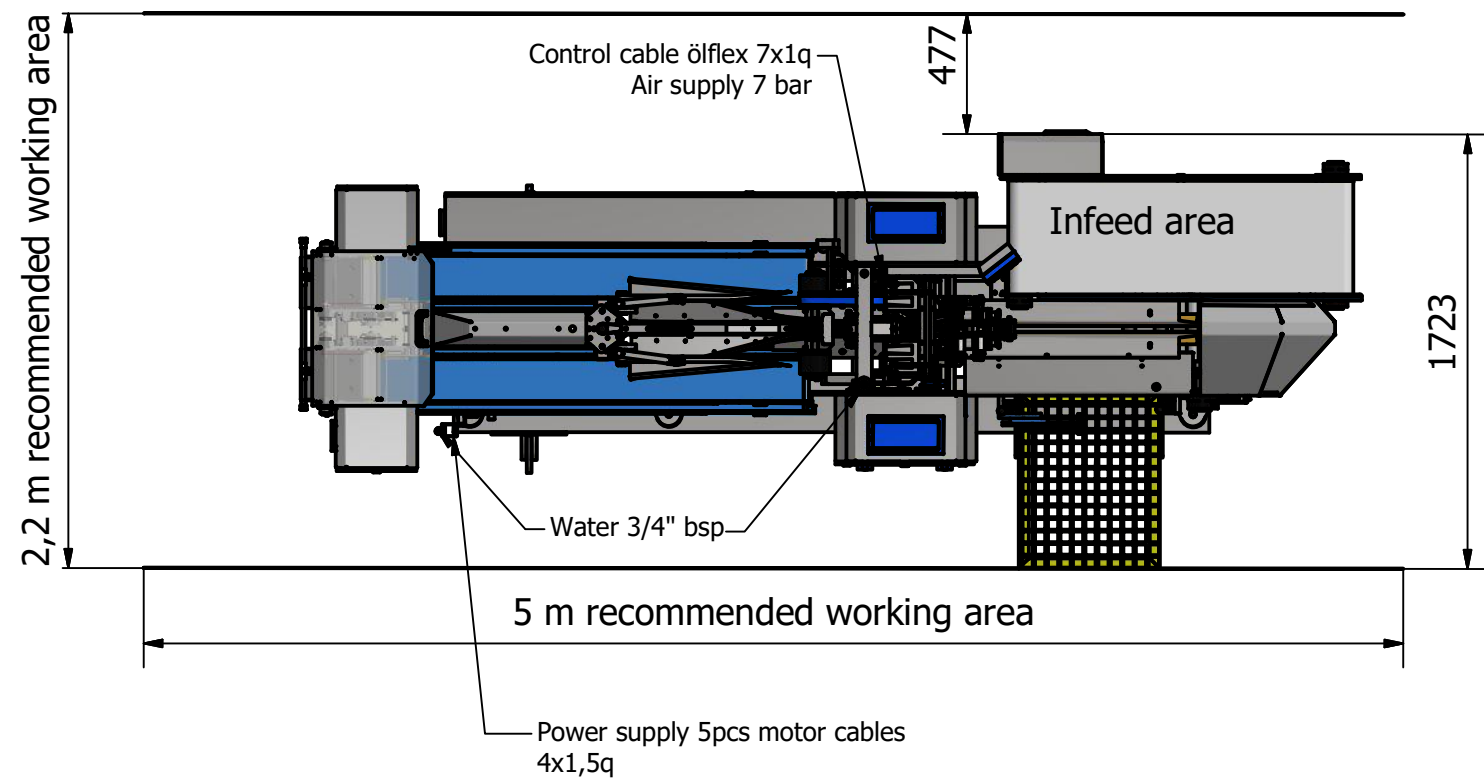
Left side view



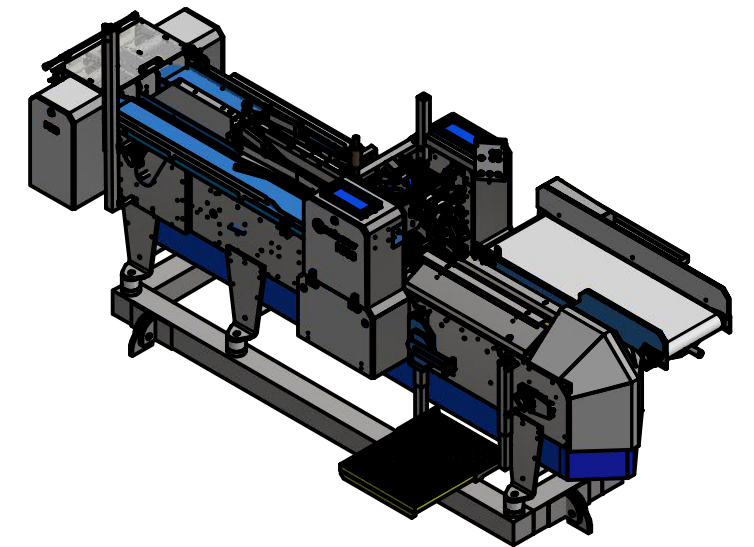
Rear view




Top view



Water pump 4x4q placed on factory deck, supplied with seawater from main seawaterpipe on factorydeck. (1 : 30)



Drawn by: Elvar	Designed by: Bjarmi.	Approved by	Date	Date 04/11/2016	
		M700		Edition	Sheet 1 / 1
		Scale 1:30			