



M500 / M505 Heading Machine

- Easily handles different fish species and wide size range
- Unique belt design - Dramatically reduces maintenance costs - Ensures better heading process and yield
- Variable knife angle for increased yield - Adjustable according to different fish species
- Variable processing speed - safer lodging - increases yield and quality of the fillets
- Sure-Grip conveyor system - Easily handles live fish and fish in state of rigor mortis
- Increased throughput

Maximum Durability - Minimum Need for Maintenance – Increased Yield and Profitability

- Simple and space-saving design
- User friendly to maintain and adjust
- Easy to clean-Less bacterial growth
- Corrosion free / Electropolished

Robust Construction in Combination with Innovative Technical Solutions Results in Stability of Settings and Functional Areas. This Guarantees Maximum Yield as Well as Quality of Fillets.

The PLC Controlled M505 Offers Features that the Mechanical M500 Does not Have:

- **TakeControl** – easy to use operating system
- Change of settings at the push of a button
- Head cutting of individual fish based on laser/camera measurements
- Arc cut to get the most valuable meat on the neck
- Interconnected with VélFag's other PLC controlled processing machines
- Easily accessible maintenance database
- Multiple language user interface



Optional

- Built-in gutter suction unit w/tank

 Corrosion free

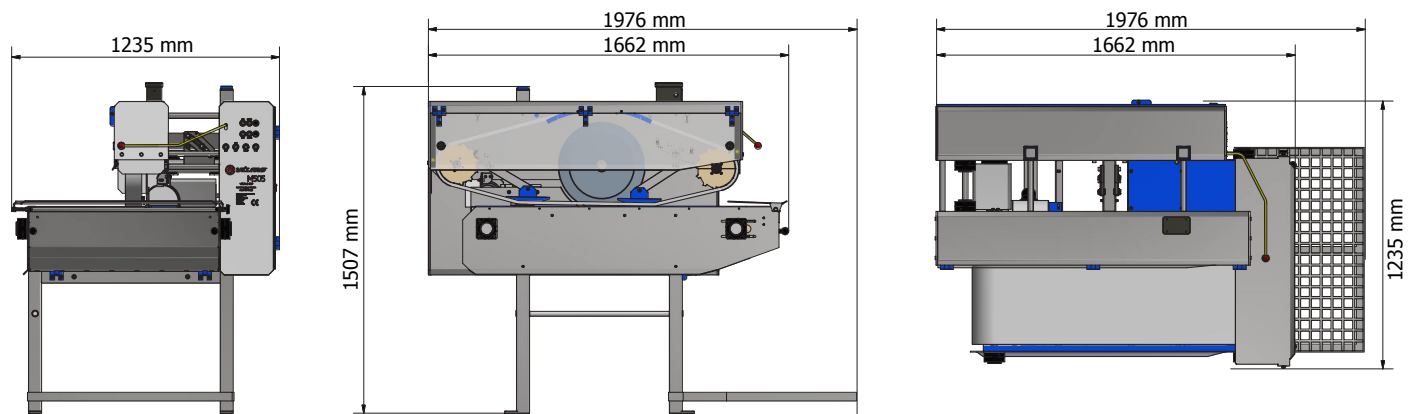
 Easy to clean

 Simple maintenance

Technical Data:

Fish Species:	White fish, redfish, flatfish
Working range:	20-120 cm
Throughput:	Up to 140 fishes / min
Operation:	1 person
Cutting speed:	Adjustable settings
Knife angle:	Adjustable settings
Water consumption:	10 L / min
Water supply connection:	1/2 bsp
Power consumption:	1,5 kW
Voltage:	400 V
Current Requirement:	16A
Weight:	430 kg / Weight with tank & suction unit: 450 kg
Dimensions:	L: 1660mm x W: 1210mm x H: 1470mm
Quality of Material:	316 Stainless steel. Electropolished stainless steel. POM plastics. Antibacterial DuPont™ Corian® for stationary surfaces.

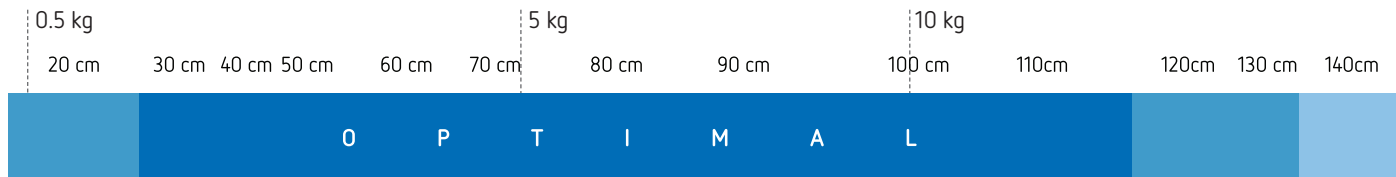
Floor Plan - Dimensions:



Working Range:

M500/M505 Heading Machine

*500mm version



09.2022

design - www.effekt.is