



- Easily handles different fish species and wide size range
- Variable processing speed – Safer lodging – Increases yield and quality
- Sure-Grip conveyor system
- Increased throughput
- Designed to both head whole fish as well as take the collarbone off pre-headed fish

#### Maximum Durability – Minimum Need for Maintenance – Increased Yield and Profitability

- Simple and space saving design
- User friendly to maintain and adjust
- Easy to clean-Less bacteria growth
- Corrosion free / Electropolished / Food grade plastics

Robust Construction in Combination with Innovative Technical Solutions Results in Stability of Settings and Functional Areas. This Guarantees Maximum Yield as Well as Quality of Fillets

#### The PLC Controlled M521 Offers Features such as:

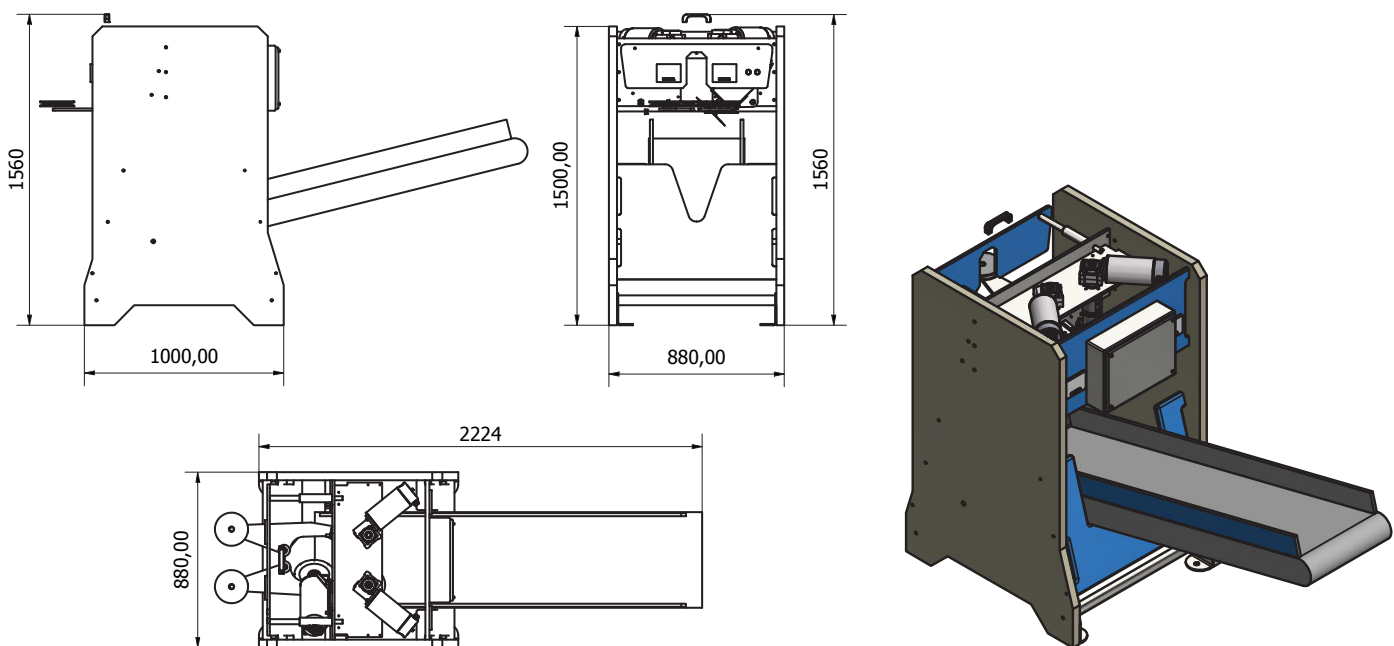
- **TakeControl** – Easy to use operating system
- Change the settings at the push of a button
- Interconnected with VélFag's other PLC controlled processing machines
- Multiple language user interface
- Line controlled / standalone



## Technical Data:

<b>Fish Species:</b>	White fish
<b>Working range:</b>	20-90 cm. 500g – 8 kg
<b>Throughput:</b>	Maximum 40 fish per minute, depending on size of fish and skills of operator
<b>Operation:</b>	1 person
<b>Cutting Speed:</b>	Adjustable settings
<b>Water consumption:</b>	Up to 10L/min 3-6 bar
<b>Water supply connection:</b>	½ bsp
<b>Voltage:</b>	400 V, 50 Hz, 3 phases.
<b>Current Requirement:</b>	16A
<b>Power Consumption:</b>	Approx. 2,25 kW.
<b>Weight:</b>	465 kg net.
<b>Dimensions:</b>	L (with conveyer): 2224mm x W: 880mm x H: 1560mm
<b>Quality of Material:</b>	316 stainless steel. Electropolished stainless steel. POM plastics. Antibacterial DuPont™ Corian® for stationary surfaces.

## Floor plan - Dimensions



09.2022

design - www.effekt.is

## Working Range:

